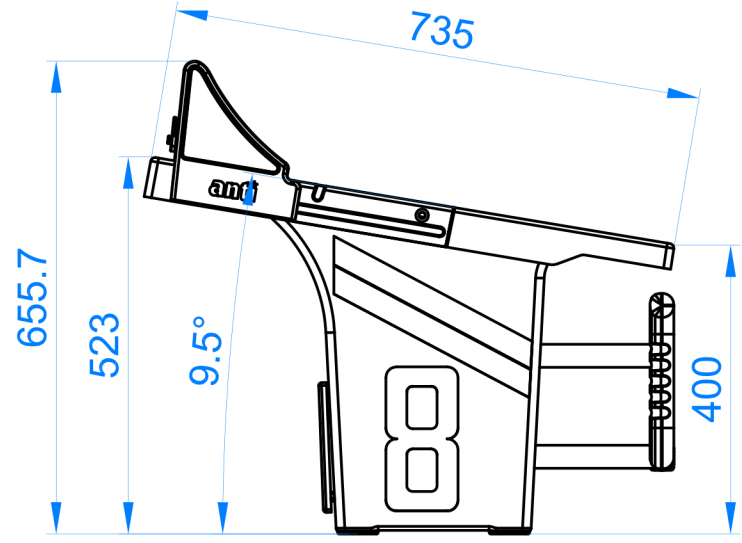
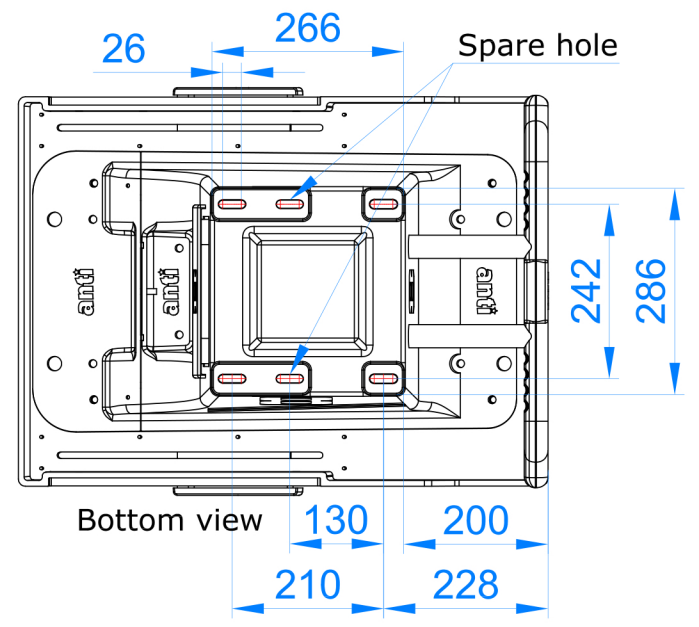


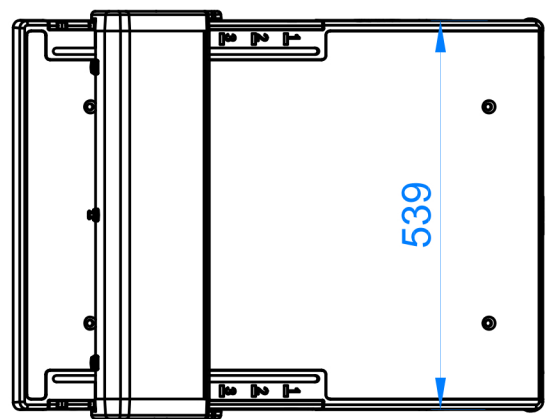
Front view



Side view



Bottom view



Vertical view

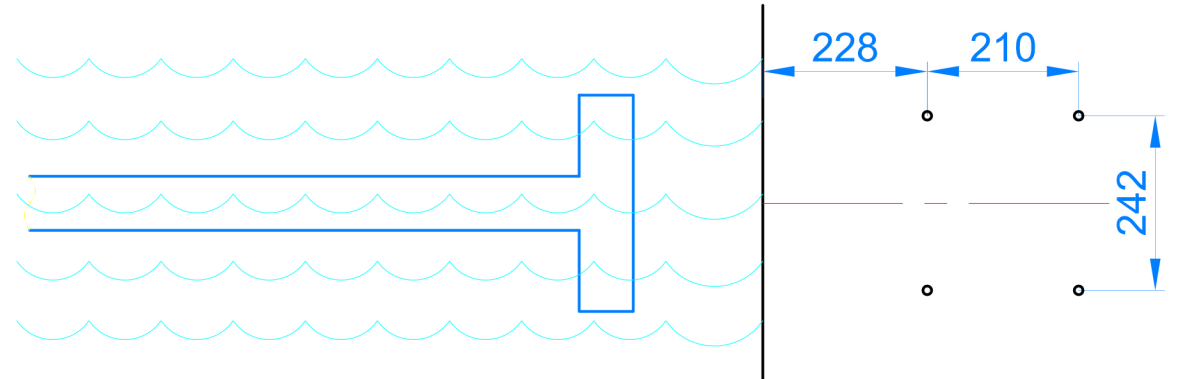
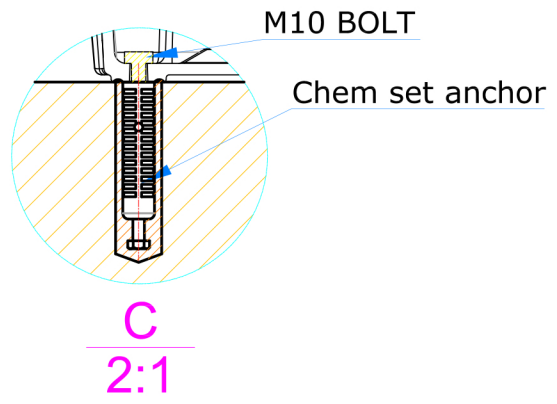
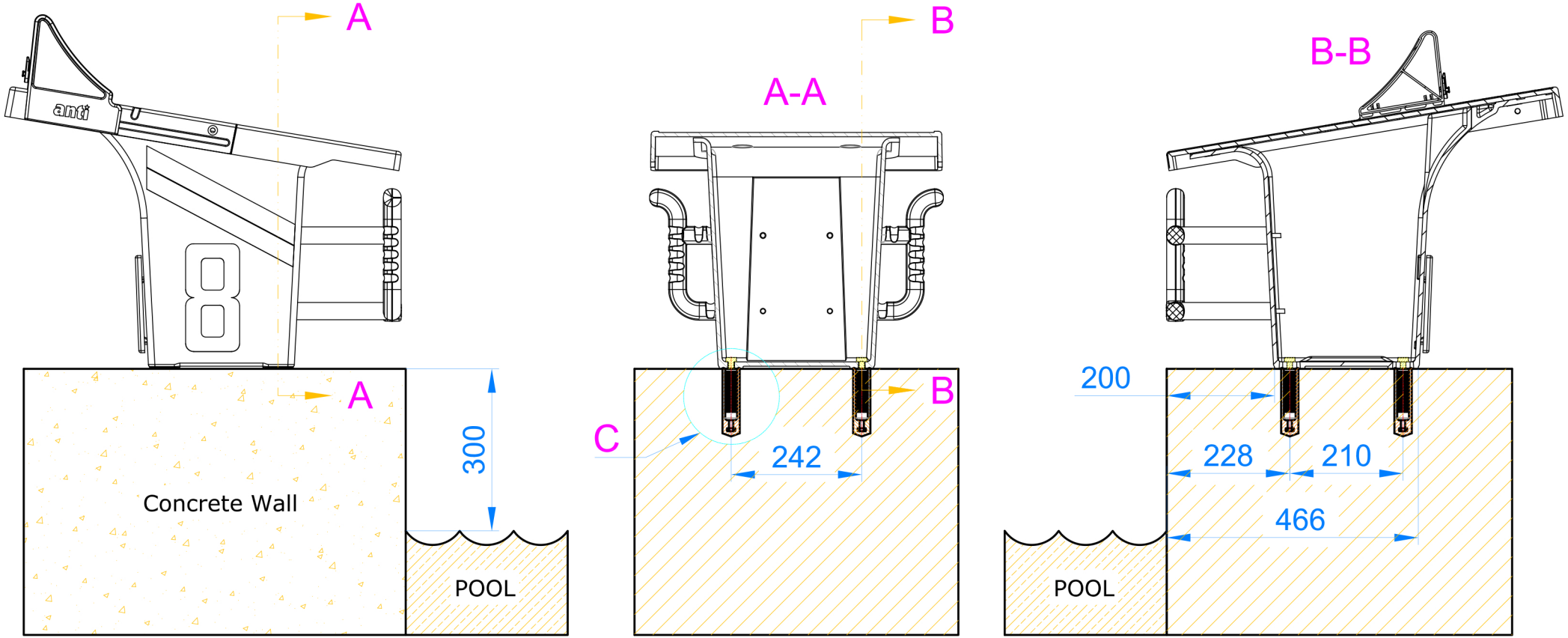
**SPECIFICATIONS:**


- Materials:  
Fibreglass
- Top Materials:  
AquaDeck ® Antislip
- Overall Dimensions:  
735mmX565mmX656mm
- Cartons Dimensions (2 pcs):  
810mmX630mmX1220mm
- Shipping Weight (2 pcs): 65KG
- Shipping CBM total (2 pcs): 0.623m<sup>3</sup>
- Suit all timing systems



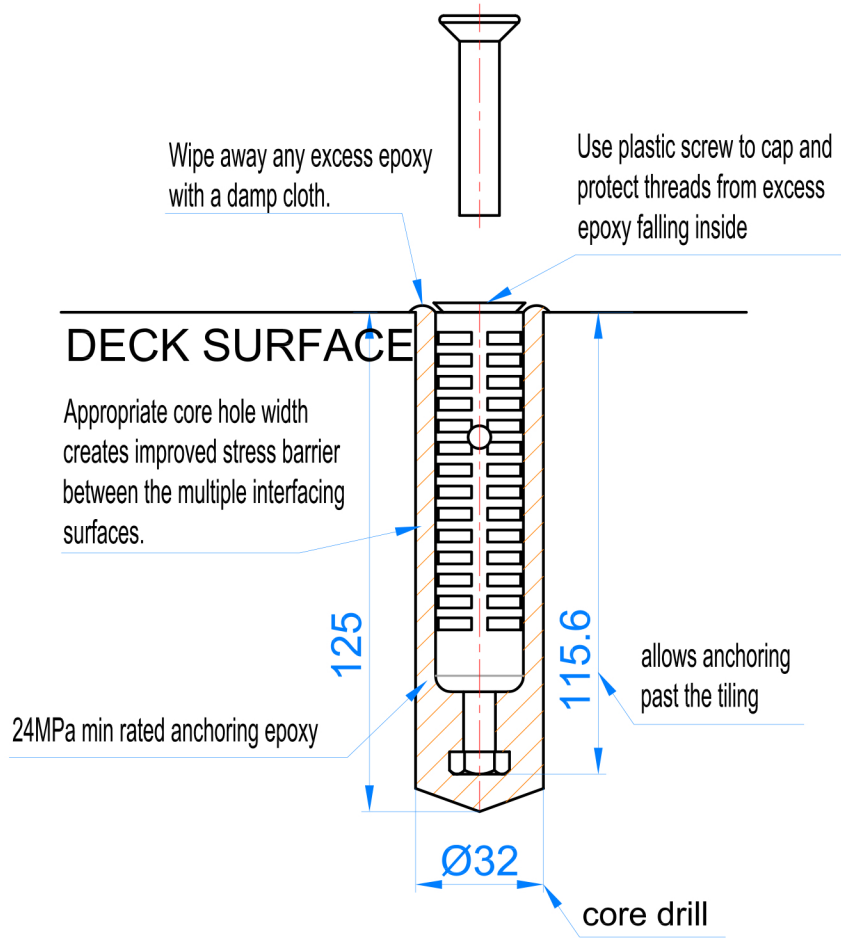
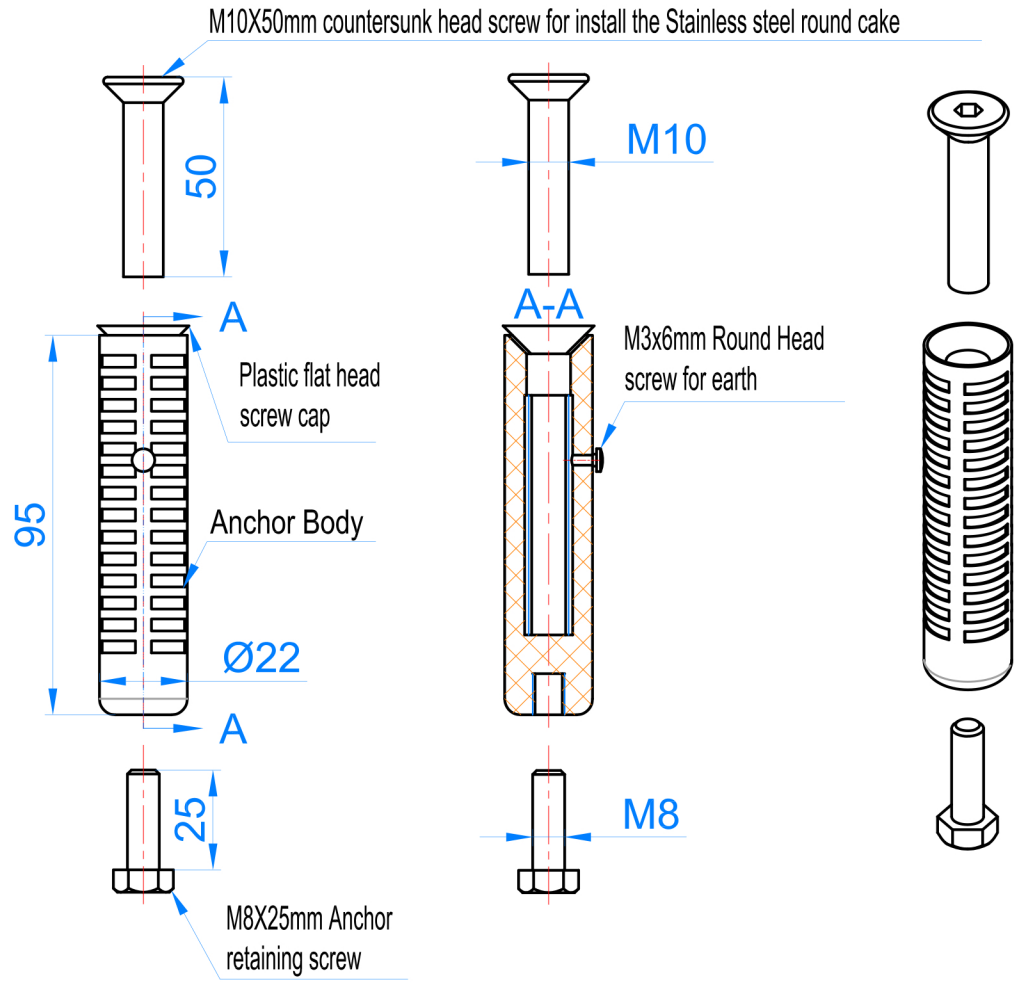
**PROPRIETARY AND CONFIDENTIAL**  
The information contained in this drawing is the sole property of ANTI WAVE, any reproduction in part or as a whole without the written permission of ANTI WAVE is prohibited.

|               |        |       |                 |         |   |             |          |             |           |
|---------------|--------|-------|-----------------|---------|---|-------------|----------|-------------|-----------|
| Project Name: |        |       | Product Name:   |         |   | Project No. |          | Product No. |           |
| Super Block   |        |       | Super Block 750 |         |   | Drawn Date  | 2022-3-1 | Verify Date | 2022-3-16 |
| Drawn         | Philip | Scale | 1:1             | Patents | 2001285610; 7100219; 4048677; 01818714.5 & 2003/2920 e.g. |             |          |             |           |



|   |                                     |        |           |   |   |  |                        |                          |
|---|-------------------------------------|--------|-----------|---|---|--|------------------------|--------------------------|
|  <p>PROPRIETARY AND CONFIDENTIAL<br/>The information contained in this drawing is the sole property of ANTI WAVE, any reproduction in part or as a whole without the written permission of ANTI WAVE is prohibited.</p> | Project Name:<br><b>Super Block</b> |        |           | Product Name:<br><b>Super Block 750</b> |   |  | Project No.            | Product No.              |
|   | Drawn                               | Philip | Scale 1:1 | Patents                                 | 2001285610; 7100219; 4048677; 01818714.5 & 2003/2920 e.g. |  | Drawn Date<br>2022-3-1 | Verify Date<br>2022-3-16 |

# Installation



**PROPRIETARY AND CONFIDENTIAL**  
 The information contained in this drawing is the sole property of ANTI WAVE, any reproduction in part or as a whole without the written permission of ANTI WAVE is prohibited.

|                 |        |       |     |                 |   |  |  |             |                 |  |
|-----------------|--------|-------|-----|-----------------|---|--|--|-------------|-----------------|--|
| Project Name:   |        |       |     | Product Name:   |   |  |  | Product No. | Projection type |  |
| Chem Set Anchor |        |       |     | Chem Set Anchor |   |  |  | Drawn Date  | Verify Date     |  |
| Drawn           | Philip | Scale | 1:1 | Patents         | 2001285610; 7100219; 4048677; 01818714.5 & 2003/2920 e.g. |  |  |             |                 |  |
|                 |        |       |     |                 |   |  |  | 2022-3-1    | 2022-3-16       |  |